



EMAS ELEKTROTEKNİK MAKİNA
SANAYİ VE TİCARET A.Ş

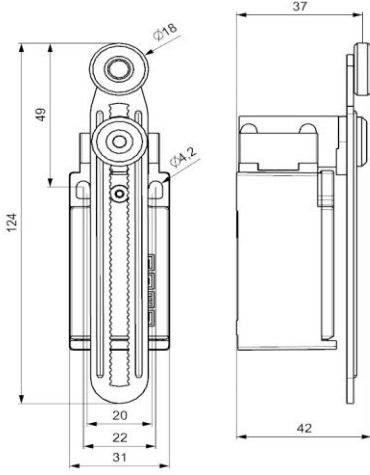
Ziya Gökalp Mah. İkitelli Organize Sanayi Bölgesi
Atatürk Bulvarı No:50 34490 Başakşehir / İstanbul /
TÜRKİYE

Telefon : +90 212 549 22 52

Faks : +90 212 549 25 80

Web : www.emasas.com.tr

Technical Specifications : L5K13MEM123



Order Code:

L5K13MEM123

Contact Block:

1NO + 1NC

Snap action

Finger protection terminals

Screw washer

Electrical insulated

Technical Information :

Body:

Fireproof plastic body

PG13,5 cable entry

Standards:

- TS EN 60947 -5-1

In contact Blocks;

- VDE 0660

- UL 508

General Specifications

Operating Temperature	-5/+40°C
Mechanical life	10 Million (3000 open-close/hour)
Electrical Life	1 Million (1800 open-close/hour)
C.Block Tightening Torque	0,6-0,8 Nm
C.Block Connection Wire Profile	Min: 1x0,5 mm ²
Wire Profile	Max: 2x2,5 mm ²
Protection Degree	IP65



Electrical Informations :

General Specifications

Range Of Use		AC15
Operating Voltage	Ue	240V AC
Fregquency	f	50Hz
Operating Current	Ie	3A
Insulation Resistance	Ui	300V
Stroke Resistance Voltage	Uimp	2,5kV
Dielectrical Strength		1500V AC